

www.onpointvisuals.com  
866/860-1892

**details:**

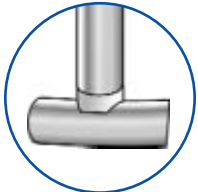
a. zippered sleeve



b. snap joint



c. delrin and rib

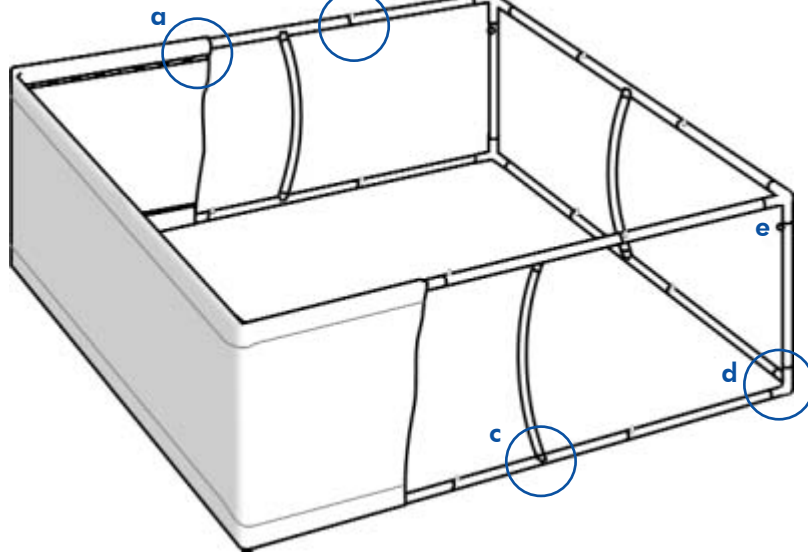


d. corner joint

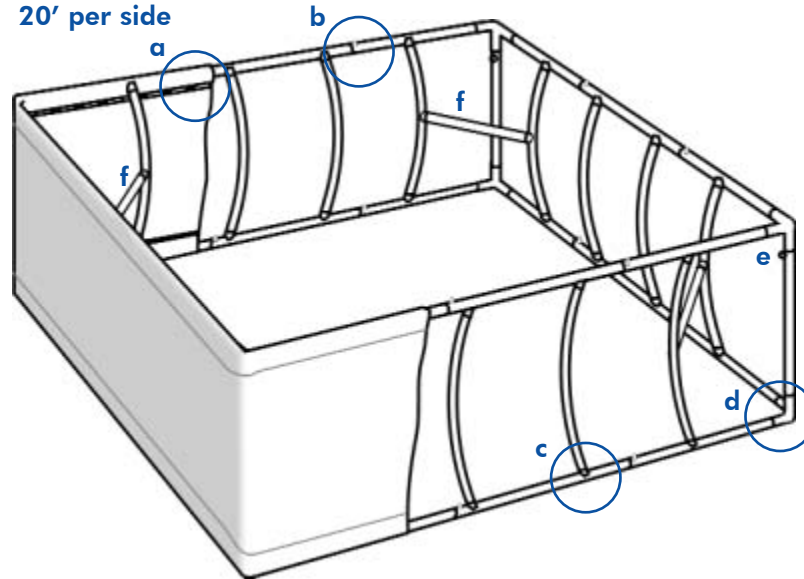


e. eye hook  
f. bracing - used for 12' +

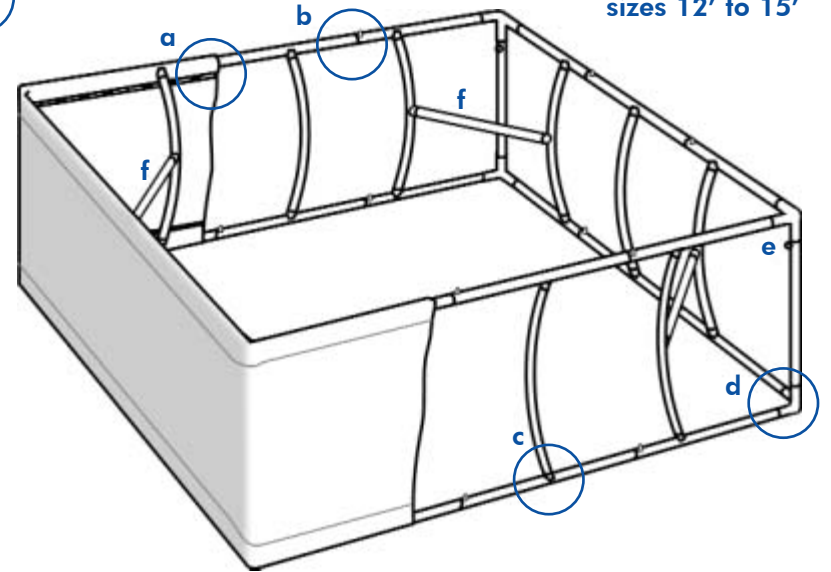
sizes up to 10'



20' per side



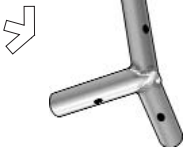
sizes 12' to 15'



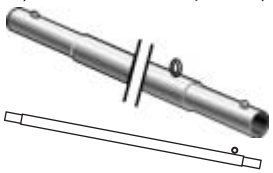
www.onpointvisuals.com  
866/860-1892

**parts list:**

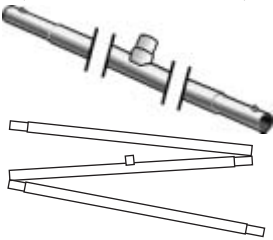
8 - corner joints



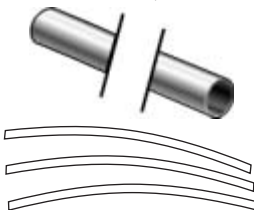
4 - vertical poles  
(one section with eyehook)



8 - horizontal poles  
(2-4 sections with delrin)



4-16 - curved ribs, 1 section



**1. Spread dropcloth**

This protects the skin and keeps it clean.

**2. Assemble horizontal poles**

Straighten the bungeed horizontal pole sections, and snap joint them together to finish with 8 straight poles with one or more delrin connectors.

**3. Assemble top and bottom rectangles**

Now connect the horizontal poles into the corner joints to create two identical rectangles.

**4. Place vertical poles and ribs**

Snap vertical poles into the corner joints, making sure the eyehooks are on the top side. Slide the rib ends over the bottom delrin connectors.

**5. Place top rectangle**

Lift the top rectangle into place, insert the delrin connectors into the ribs, and snap the vertical poles into the top corner joints. Attach corner bracing if included.

**6. Cover frame with fabric skin**

Slide the fabric skin over the frame and pull it up over the top while lining up the corners.

**7. Close zippers**

Starting at one rib, work around the rectangle zipping up both the top and bottom sleeves at the same time, closing about 3" of zipper each time. After working all around the rectangle, close each zipper fully. The structure is now ready for hanging.

